

Passport photographs

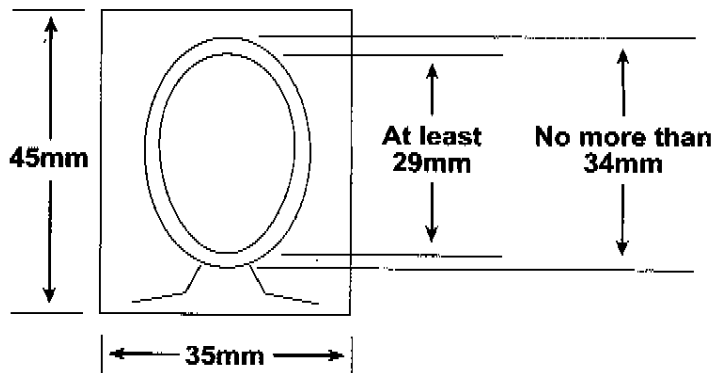


All passport applications must include two identical recent passport photographs. The quality, style and appearance of passport photographs must meet the standards set by the International Civil Aviation Organisation (ICAO). The guidance in this leaflet will help you send us acceptable photographs, and will help avoid the need for us to ask for more photographs.

If you need a countersignatory (see note 10 of the guidance notes), the countersignatory must certify the back of **one** (not both) of the photographs with the hand written words, "I certify that this is a true likeness of (give your full name and title)" and sign and date the endorsement.

The photographs must be:

- identical;
- recent (taken within the last month);
- 45 millimetres (mm) x 35 millimetres (mm);
- printed on plain white photo quality paper (not watermarked or embossed);
- a close-up of your head and shoulders so that your face covers approximately 65 to 75% of the photograph;



- taken against an off-white, cream or light grey plain background so that your features are clearly distinguishable against the background; and
- of you on your own (no toys, dummies or other people visible).



Good



Good



Good



Good



Too close



Too far



Shows another person



Busy background

The photographs must:

- be in sharp focus and clear;
- have a strong definition between the face and background; and
- be printed at 1200dpi resolution or better if they are digital or scanned photographs.

The photographs must show:

- no shadows;
- your full face, looking straight at the camera;
- a neutral expression, with your mouth closed;
- your eyes open and clearly visible (with no sunglasses or heavily tinted glasses, and no hair across your eyes);
- no reflection on your spectacles, if you wear them, and the frames should not cover your eyes;
- your full head, without any head covering, unless it is worn for religious beliefs or medical reasons; and
- your face uncovered.

Babies and children

We appreciate you may have difficulty in meeting these guidelines, for instance, perhaps head size, looking straight at the camera or keeping the mouth closed.

However, you must do your best to meet all the guidelines you can. It is very important that, the adult's hand cannot be seen, and that we can see the full face. Also, for children over six months old, we must be able to see the colour of the eyes.

Further help

If you need further advice, or feel that you cannot meet one or more of our requirements, please contact the Passport Adviceline on 0870 521 0410.

Please note photographs become part of the official records of the UKPS and will not be returned. Photographs with a copyright warning attached will not be accepted. For example, school photographs.



Blurred or too light



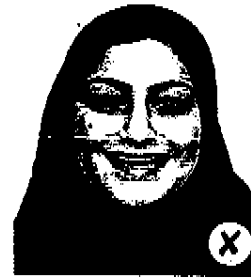
Shadows across face



Looking away



Portrait style



Mouth open



Hair across eyes



Frames covering eyes



Dark tinted glasses



Wearing a hat



Face covered